

Luminaire Property

Luminaire: C512 6W 3000K

Report NO.:

Test NO.:

Lamp:

Sum Lumens: 453.32 lm

Number of Lamps: 1

Diameter: 120mm

Length: mm

Photometric Type: Type C

Voltage: 221.8 V

Current: 0.059 A

Power: 7.0 W

Power Factor: 0.53

Ballast Type:

Width: 120mm

Height: 38mm

Remark:

Photometric Results

Lumens: 453.32 lm

Efficiency: 64.76 lm/W

Central Intensity: 186.62cd

Maximum Intensity: 187.568cd

Angle of maximum intensity: C:0.0 G:1.0

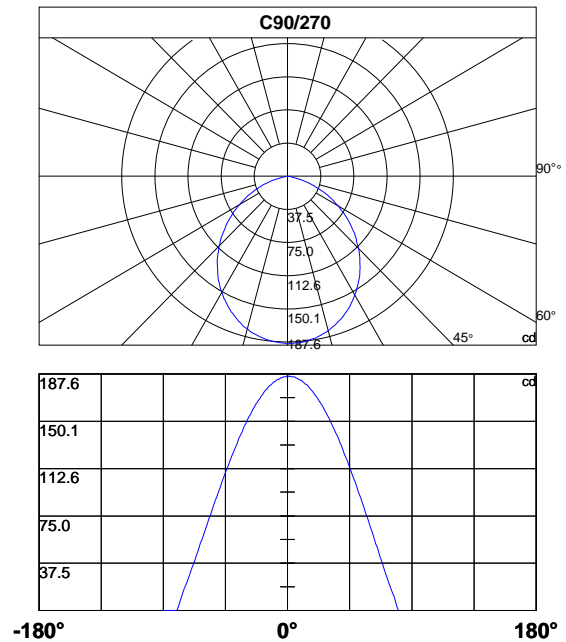
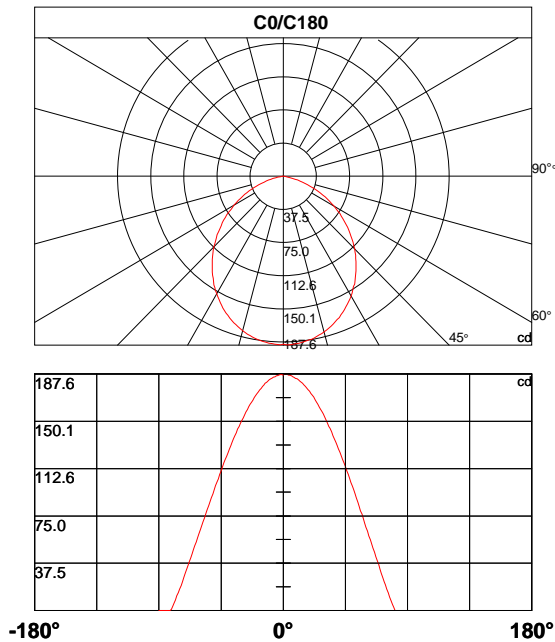
Half Peak Side Angle(50%): Left: -51.6 Right:50.6

Light Out Rate(LOR) : 100.00%

Up Flux Rate: 0.0%

Down Flux Rate: 100.0%

Beam Angle(10%): Left: -75.4 Right:73.4



Photometric Data Table [cd]

C\G	0.0	1.0	2.0	3.0	4.0	5.0	6.0	7.0	8.0	9.0
0.0	186.6	187.6	187.4	187.3	186.8	186.6	186.1	185.5	185.0	184.1
45.0	186.6	185.6	185.9	185.3	185.5	185.2	184.8	184.0	183.4	182.9
90.0	186.6	185.6	185.9	185.3	185.5	185.2	184.8	184.0	183.4	182.9
135.0	186.6	187.3	187.2	187.0	186.3	186.2	185.4	185.1	184.3	183.8
180.0	186.6	187.3	187.2	187.0	186.3	186.2	185.4	185.1	184.3	183.8
225.0	186.6	185.5	185.3	185.3	184.6	184.5	183.7	183.4	182.8	181.7
270.0	186.6	185.5	185.3	185.3	184.6	184.5	183.7	183.4	182.8	181.7
315.0	186.6	187.6	187.4	187.3	186.8	186.6	186.1	185.5	185.0	184.1
360.0	186.6	187.6	187.4	187.3	186.8	186.6	186.1	185.5	185.0	184.1

C\G	10.0	11.0	12.0	13.0	14.0	15.0	16.0	17.0	18.0	19.0
0.0	183.9	183.1	182.0	181.0	180.3	178.9	177.9	176.5	175.1	173.9
45.0	182.5	181.4	180.6	179.5	178.9	177.8	176.5	175.0	173.9	172.3
90.0	182.5	181.4	180.6	179.5	178.9	177.8	176.5	175.0	173.9	172.3
135.0	183.0	182.2	181.1	180.2	178.8	177.9	176.3	174.8	173.4	172.1
180.0	183.0	182.2	181.1	180.2	178.8	177.9	176.3	174.8	173.4	172.1
225.0	181.2	180.2	179.1	178.5	177.2	175.7	174.8	173.4	171.6	170.2
270.0	181.2	180.2	179.1	178.5	177.2	175.7	174.8	173.4	171.6	170.2
315.0	183.9	183.1	182.0	181.0	180.3	178.9	177.9	176.5	175.1	173.9
360.0	183.9	183.1	182.0	181.0	180.3	178.9	177.9	176.5	175.1	173.9

C\G	20.0	21.0	22.0	23.0	24.0	25.0	26.0	27.0	28.0	29.0
0.0	172.2	170.7	169.3	167.3	165.5	163.5	161.6	159.7	157.7	155.9
45.0	171.0	169.4	167.9	166.0	164.3	162.8	160.9	158.5	156.7	154.5
90.0	171.0	169.4	167.9	166.0	164.3	162.8	160.9	158.5	156.7	154.5
135.0	170.4	169.0	167.0	165.3	163.4	161.7	159.5	157.3	155.1	152.9
180.0	170.4	169.0	167.0	165.3	163.4	161.7	159.5	157.3	155.1	152.9
225.0	168.3	166.7	165.0	163.7	161.4	159.6	157.4	155.3	153.5	151.3
270.0	168.3	166.7	165.0	163.7	161.4	159.6	157.4	155.3	153.5	151.3
315.0	172.2	170.7	169.3	167.3	165.5	163.5	161.6	159.7	157.7	155.9
360.0	172.2	170.7	169.3	167.3	165.5	163.5	161.6	159.7	157.7	155.9

C\G	30.0	31.0	32.0	33.0	34.0	35.0	36.0	37.0	38.0	39.0
0.0	153.6	151.3	148.6	146.1	144.4	141.7	138.7	136.3	133.6	131.0
45.0	152.2	150.0	147.9	145.4	142.9	140.6	138.4	135.8	133.1	130.4
90.0	152.2	150.0	147.9	145.4	142.9	140.6	138.4	135.8	133.1	130.4
135.0	150.7	148.5	146.0	143.9	140.8	138.3	136.0	133.5	130.6	127.8
180.0	150.7	148.5	146.0	143.9	140.8	138.3	136.0	133.5	130.6	127.8
225.0	148.8	146.9	144.4	141.6	139.7	137.1	134.5	131.4	128.7	126.3
270.0	148.8	146.9	144.4	141.6	139.7	137.1	134.5	131.4	128.7	126.3
315.0	153.6	151.3	148.6	146.1	144.4	141.7	138.7	136.3	133.6	131.0
360.0	153.6	151.3	148.6	146.1	144.4	141.7	138.7	136.3	133.6	131.0

Photometric Data Table [cd]

C\G	40.0	41.0	42.0	43.0	44.0	45.0	46.0	47.0	48.0	49.0
0.0	128.3	125.5	122.6	119.9	116.9	114.2	110.9	107.9	105.0	101.6
45.0	127.3	124.5	122.1	119.5	116.5	113.5	110.2	107.1	104.5	101.5
90.0	127.3	124.5	122.1	119.5	116.5	113.5	110.2	107.1	104.5	101.5
135.0	124.9	122.5	119.5	117.0	113.9	111.0	107.9	104.4	101.9	99.0
180.0	124.9	122.5	119.5	117.0	113.9	111.0	107.9	104.4	101.9	99.0
225.0	123.9	120.8	117.9	115.1	112.2	109.3	106.5	103.5	100.3	97.0
270.0	123.9	120.8	117.9	115.1	112.2	109.3	106.5	103.5	100.3	97.0
315.0	128.3	125.5	122.6	119.9	116.9	114.2	110.9	107.9	105.0	101.6
360.0	128.3	125.5	122.6	119.9	116.9	114.2	110.9	107.9	105.0	101.6

C\G	50.0	51.0	52.0	53.0	54.0	55.0	56.0	57.0	58.0	59.0
0.0	98.6	95.7	92.5	89.3	85.8	82.4	79.0	76.4	72.7	69.4
45.0	98.5	95.0	91.8	89.4	85.9	82.5	78.9	75.8	72.7	69.3
90.0	98.5	95.0	91.8	89.4	85.9	82.5	78.9	75.8	72.7	69.3
135.0	95.6	92.3	89.3	86.4	83.4	80.1	77.0	73.6	70.2	67.3
180.0	95.6	92.3	89.3	86.4	83.4	80.1	77.0	73.6	70.2	67.3
225.0	93.9	90.6	88.3	85.0	81.7	78.6	75.4	72.5	68.9	65.9
270.0	93.9	90.6	88.3	85.0	81.7	78.6	75.4	72.5	68.9	65.9
315.0	98.6	95.7	92.5	89.3	85.8	82.4	79.0	76.4	72.7	69.4
360.0	98.6	95.7	92.5	89.3	85.8	82.4	79.0	76.4	72.7	69.4

C\G	60.0	61.0	62.0	63.0	64.0	65.0	66.0	67.0	68.0	69.0
0.0	66.0	62.9	59.2	56.2	52.8	49.5	46.1	42.6	39.8	36.5
45.0	66.2	62.7	59.3	56.2	52.7	49.7	46.3	42.6	39.2	36.0
90.0	66.2	62.7	59.3	56.2	52.7	49.7	46.3	42.6	39.2	36.0
135.0	64.2	60.7	57.6	54.4	51.2	48.1	44.9	41.9	38.5	35.4
180.0	64.2	60.7	57.6	54.4	51.2	48.1	44.9	41.9	38.5	35.4
225.0	62.5	59.3	56.4	53.5	50.4	46.9	43.5	40.1	37.3	34.1
270.0	62.5	59.3	56.4	53.5	50.4	46.9	43.5	40.1	37.3	34.1
315.0	66.0	62.9	59.2	56.2	52.8	49.5	46.1	42.6	39.8	36.5
360.0	66.0	62.9	59.2	56.2	52.8	49.5	46.1	42.6	39.8	36.5

C\G	70.0	71.0	72.0	73.0	74.0	75.0	76.0	77.0	78.0	79.0
0.0	32.7	29.4	26.0	22.9	20.3	16.9	14.0	10.6	8.0	4.8
45.0	32.7	29.5	26.1	22.9	19.9	16.8	13.9	11.0	7.3	3.9
90.0	32.7	29.5	26.1	22.9	19.9	16.8	13.9	11.0	7.3	3.9
135.0	32.6	29.1	26.2	22.7	19.8	17.1	14.3	11.7	8.4	6.0
180.0	32.6	29.1	26.2	22.7	19.8	17.1	14.3	11.7	8.4	6.0
225.0	31.3	28.2	24.7	21.8	19.4	16.5	13.5	10.1	7.1	3.1
270.0	31.3	28.2	24.7	21.8	19.4	16.5	13.5	10.1	7.1	3.1
315.0	32.7	29.4	26.0	22.9	20.3	16.9	14.0	10.6	8.0	4.8
360.0	32.7	29.4	26.0	22.9	20.3	16.9	14.0	10.6	8.0	4.8

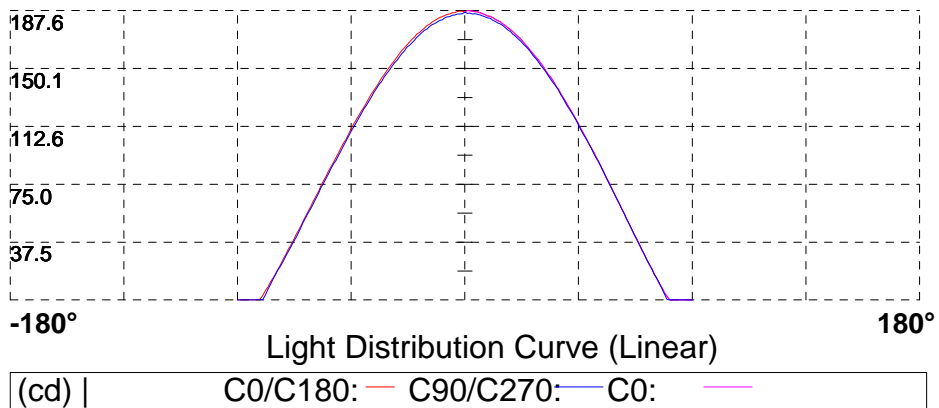
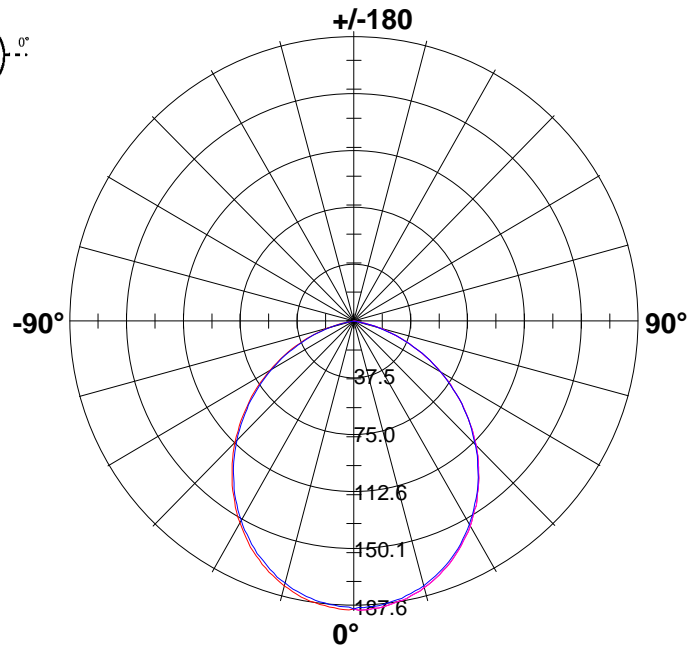
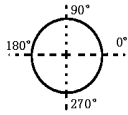
Photometric Data Table [cd]

C\G	80.0	81.0	82.0	83.0	84.0	85.0	86.0	87.0	88.0	89.0
0.0	2.5	0.0	0.0	0.0	0.0	0.0	0.0	0.0	0.0	0.0
45.0	0.3	0.0	0.0	0.0	0.0	0.0	0.0	0.0	0.0	0.0
90.0	0.3	0.0	0.0	0.0	0.0	0.0	0.0	0.0	0.0	0.0
135.0	3.1	0.7	0.0	0.0	0.0	0.0	0.0	0.0	0.0	0.0
180.0	3.1	0.7	0.0	0.0	0.0	0.0	0.0	0.0	0.0	0.0
225.0	0.3	0.0	0.0	0.0	0.0	0.0	0.0	0.0	0.0	0.0
270.0	0.3	0.0	0.0	0.0	0.0	0.0	0.0	0.0	0.0	0.0
315.0	2.5	0.0	0.0	0.0	0.0	0.0	0.0	0.0	0.0	0.0
360.0	2.5	0.0	0.0	0.0	0.0	0.0	0.0	0.0	0.0	0.0

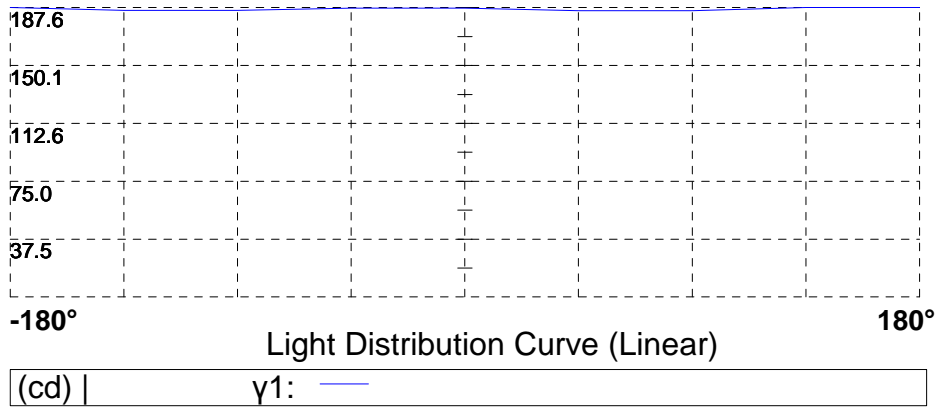
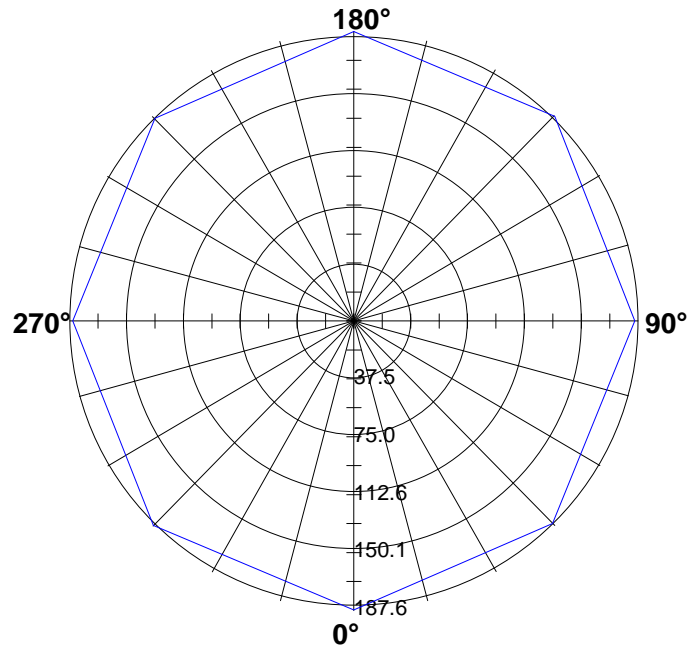
C\G	90.0
0.0	0.0
45.0	0.0
90.0	0.0
135.0	0.0
180.0	0.0
225.0	0.0
270.0	0.0
315.0	0.0
360.0	0.0

Light Distribution Curve [Unit: cd]

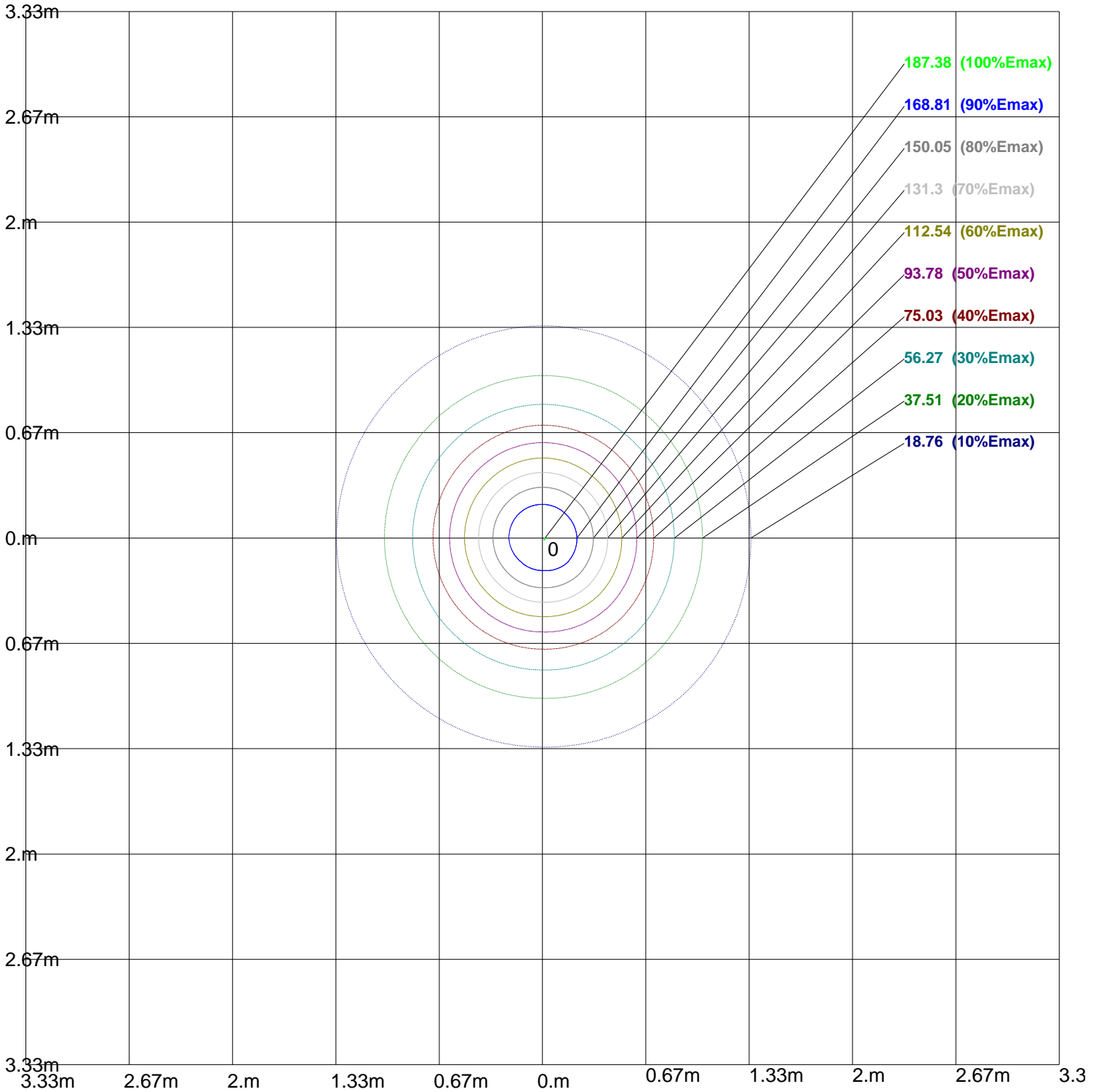
Luminaire



Max Plane Light Distribution Curve [Unit: cd]



Iso-Lux[lx]



Height: 1 m
Max Illuminance : 187.57lx

Luminance Limiting Curve

Diameter: 120mm

Length: mm

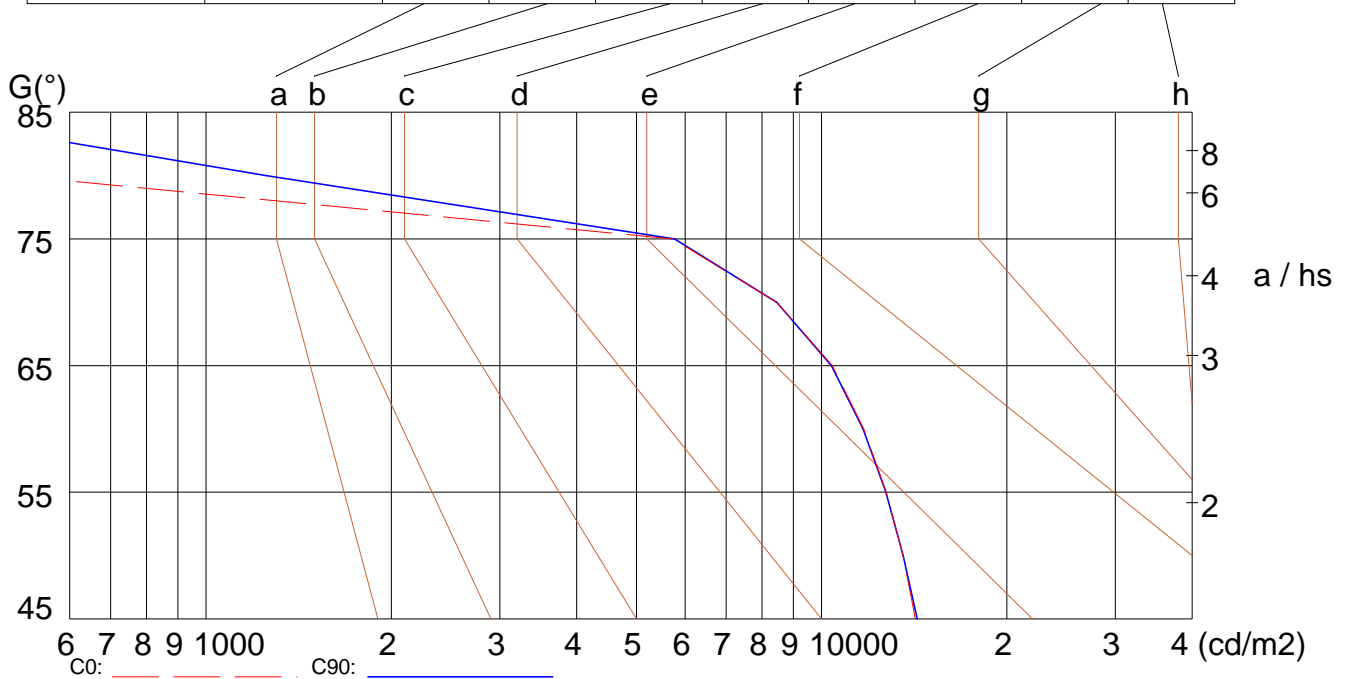
Width: 120mm

Height: 38mm

(cd/m²)

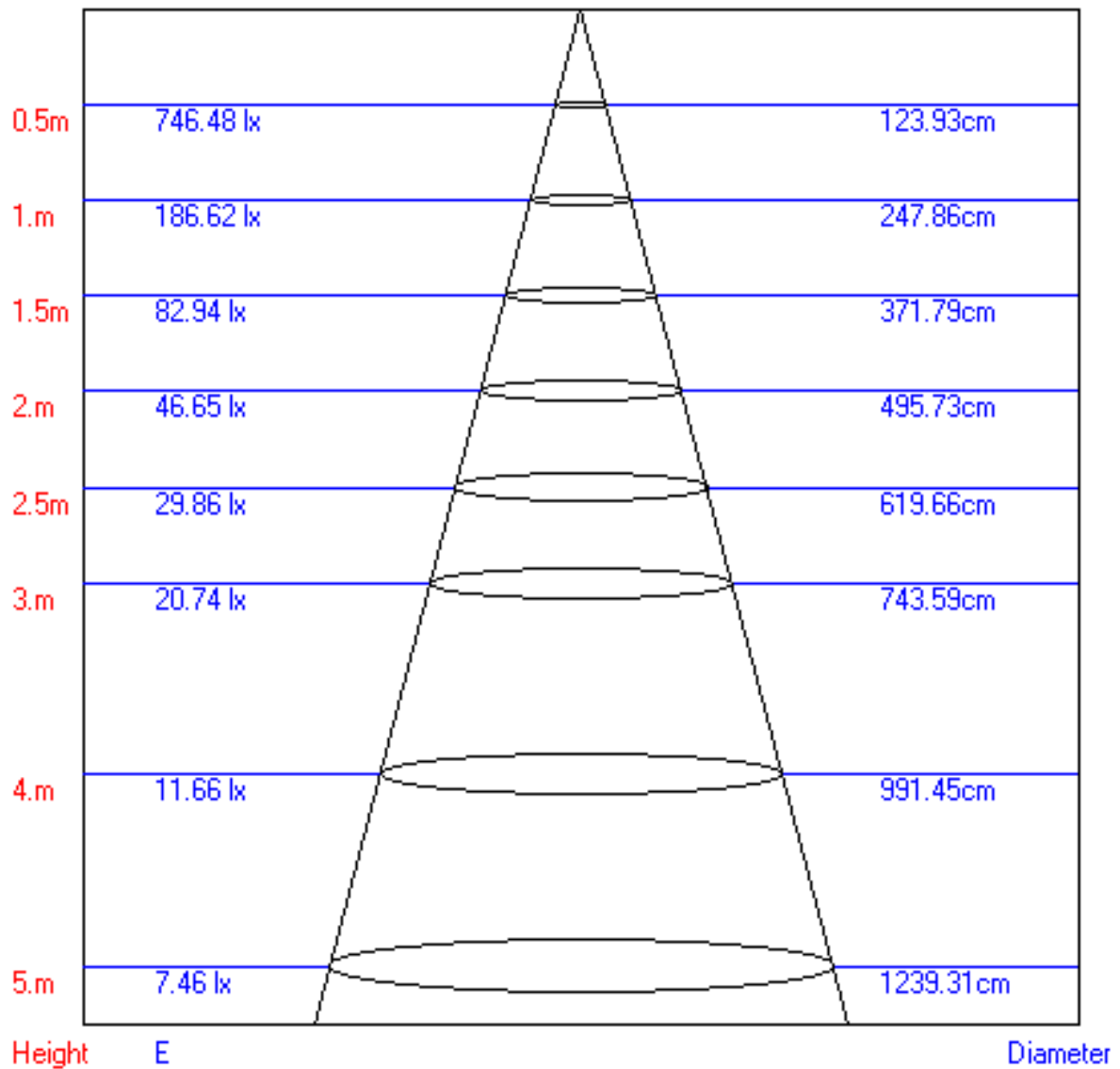
γ	45°	50°	55°	60°	65°	70°	75°	80°	85°
C0	14204	13563	12723	11708	10416	8452	5733	130	
C90	14293	13570	12715	11681	10373	8452	5768	1251	

Glare	Quality	Service Values Illuminance (lx)							
1.15	A	2000	1000	500	≤300				
1.5	B		2000	1000	500	≤300			
1.85	C			2000	1000	500	≤300		
2.2	D				2000	1000	500	≤300	
2.55	E					2000	1000	500	≤300



Lum. Limiting Curve (C0/C90)

Lux-Distance Curve



Beam Angle:102.20°

Utilization Coefficient Table

RHOCC	80			70			50			30			10			0
RHOW	50	30	10	50	30	10	50	30	10	50	30	10	50	30	10	0
RCR	COEFFICIENTS OF UTILIZATION FOR RHOFC=20															
0	1.19	1.19	1.19	1.16	1.16	1.16	1.11	1.11	1.11	1.06	1.06	1.06	1.02	1.02	1.02	1.00
1	1.07	1.06	1.05	1.06	1.04	1.03	1.02	1.00	0.98	0.97	0.95	0.93	0.90	0.88	0.86	0.81
2	0.93	0.90	0.89	0.92	0.89	0.87	0.89	0.86	0.83	0.86	0.82	0.79	0.81	0.77	0.74	0.69
3	0.80	0.78	0.76	0.80	0.77	0.74	0.78	0.74	0.71	0.76	0.71	0.68	0.72	0.68	0.63	0.59
4	0.70	0.67	0.65	0.70	0.67	0.64	0.69	0.65	0.61	0.68	0.63	0.58	0.65	0.60	0.55	0.51
5	0.62	0.59	0.57	0.62	0.58	0.56	0.62	0.57	0.54	0.61	0.55	0.51	0.59	0.53	0.48	0.44
6	0.55	0.52	0.50	0.55	0.52	0.49	0.55	0.51	0.47	0.55	0.49	0.45	0.54	0.48	0.43	0.39
7	0.49	0.46	0.45	0.49	0.46	0.44	0.50	0.45	0.42	0.50	0.44	0.40	0.50	0.43	0.38	0.35
8	0.44	0.41	0.40	0.45	0.41	0.39	0.46	0.41	0.38	0.46	0.40	0.36	0.46	0.39	0.34	0.31
9	0.40	0.38	0.36	0.41	0.37	0.35	0.42	0.37	0.34	0.42	0.37	0.33	0.42	0.36	0.31	0.28
10	0.36	0.34	0.33	0.37	0.34	0.32	0.38	0.34	0.31	0.39	0.34	0.30	0.39	0.33	0.28	0.26

